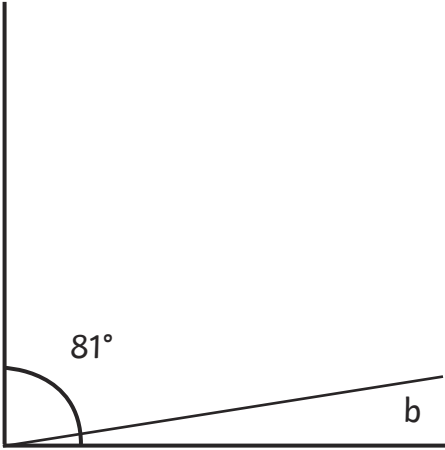
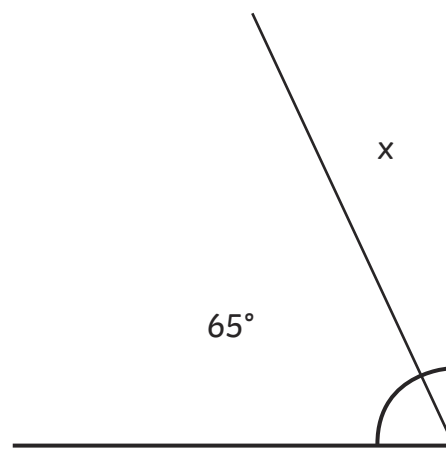
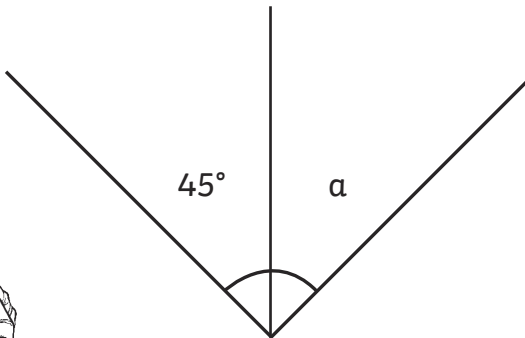
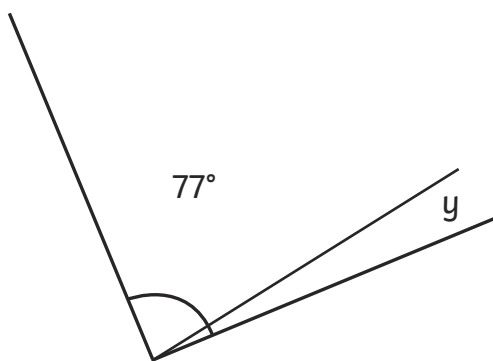


Complementary and Supplementary Angles

Complementary angles are two angles whose sum is 90 degrees (a right angle).
Calculate the missing angles.

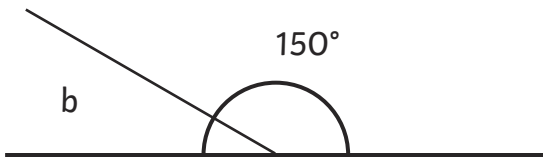
<p>a)</p>  <p>$b =$ <input type="text"/></p>	<p>b)</p>  <p>$x =$ <input type="text"/></p>
<p>c)</p>  <p>$a =$ <input type="text"/></p>	<p>d)</p>  <p>$y =$ <input type="text"/></p>



Complementary and Supplementary Angles

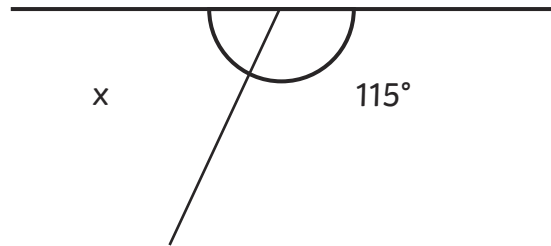
Supplementary angles are two angles whose sum is 180 degrees (a straight angle).
Calculate the missing angles.

a)



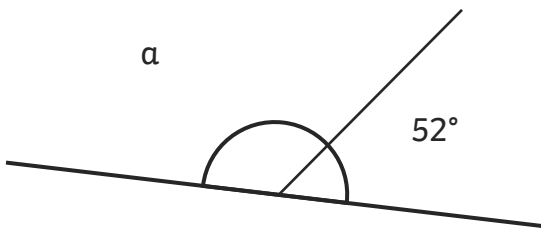
$b =$

b)



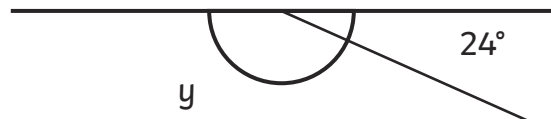
$x =$

c)



$a =$

d)

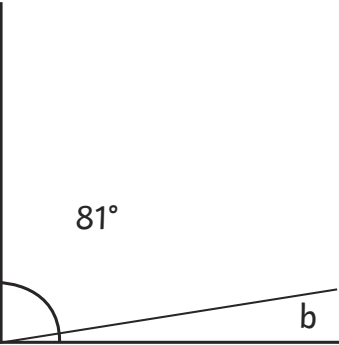
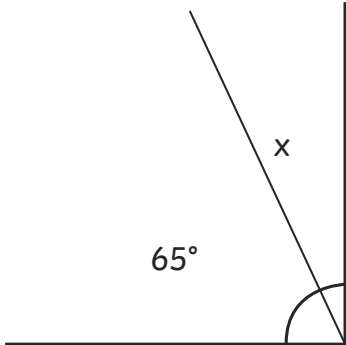
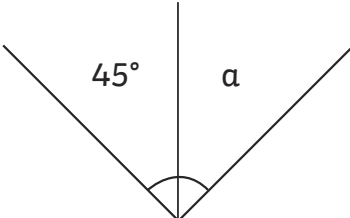
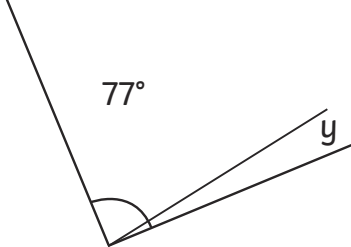


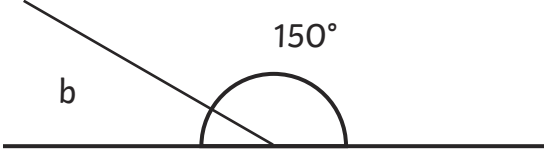
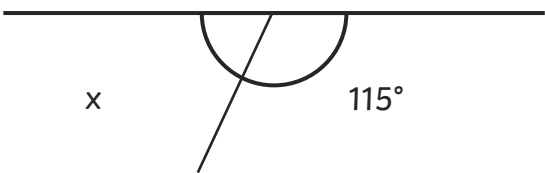
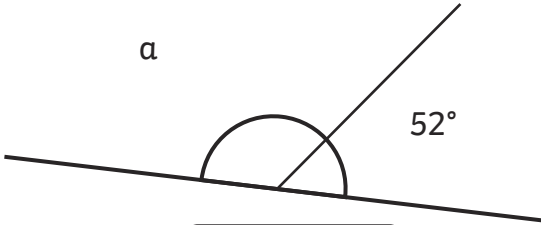
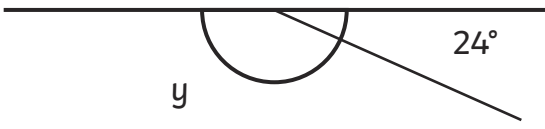
$y =$



Complementary and Supplementary Angles

Answers

<p>a)</p>  <p>$b = 9^\circ$</p>	<p>b)</p>  <p>$x = 25^\circ$</p>
<p>c)</p>  <p>$a = 45^\circ$</p>	<p>d)</p>  <p>$y = 13^\circ$</p>

<p>a)</p>  <p>$b = 30^\circ$</p>	<p>b)</p>  <p>$x = 65^\circ$</p>
<p>c)</p>  <p>$a = 128^\circ$</p>	<p>d)</p>  <p>$y = 156^\circ$</p>